

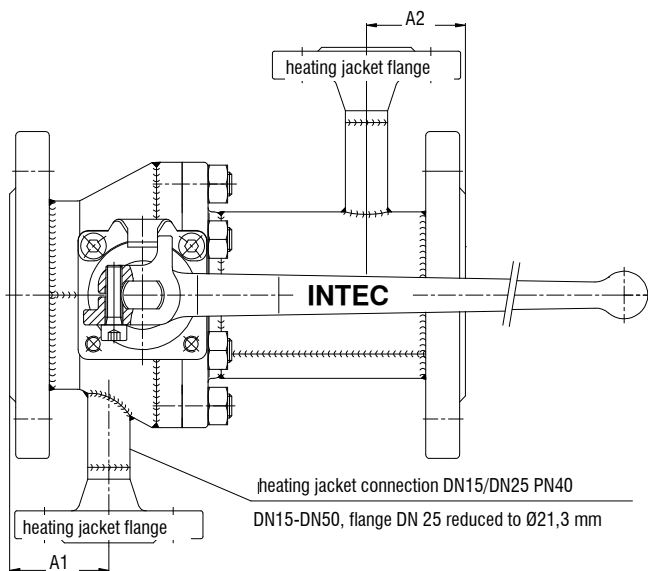
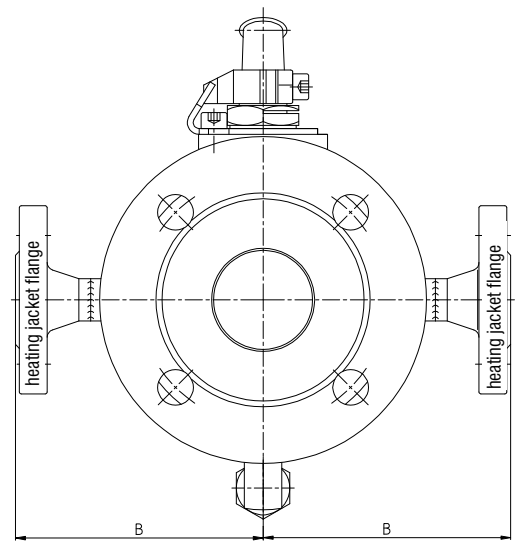
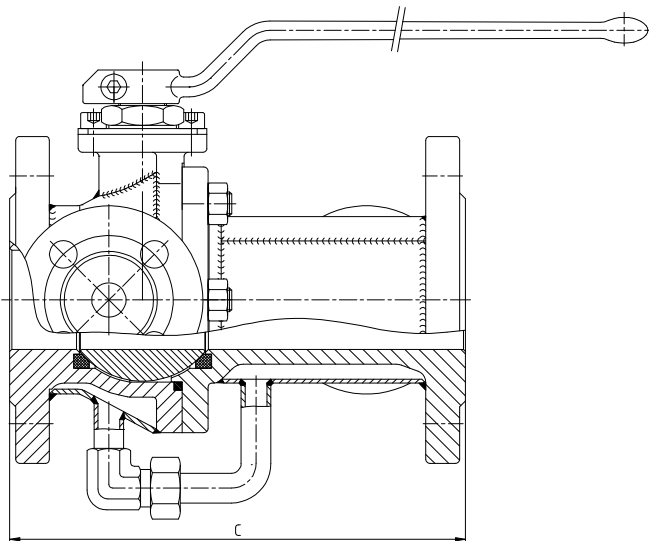
# BALL VALVES INTEC

## Two-piece heating jacket PN25

Heating jacket with flanges acc. to EN 1092

Face to face acc. to EN 558, GR.1

Face to face acc. to EN 558, GR.27



### Dimensions

DN	dimensions (mm)		GR.1 C	GR.27 C
	A1 / A2	B		
15	45 / 33	80	130	--
25	50 / 45	110	160	--
40	60 / 50	115	200	--
50	60 / 50	125	230	--
80	80 / 70	150	310	--
100	70	160	350	--
150	110 / 90	210	--	350
200	140 / 140	265	--	400
300	110 / 70	350	--	500